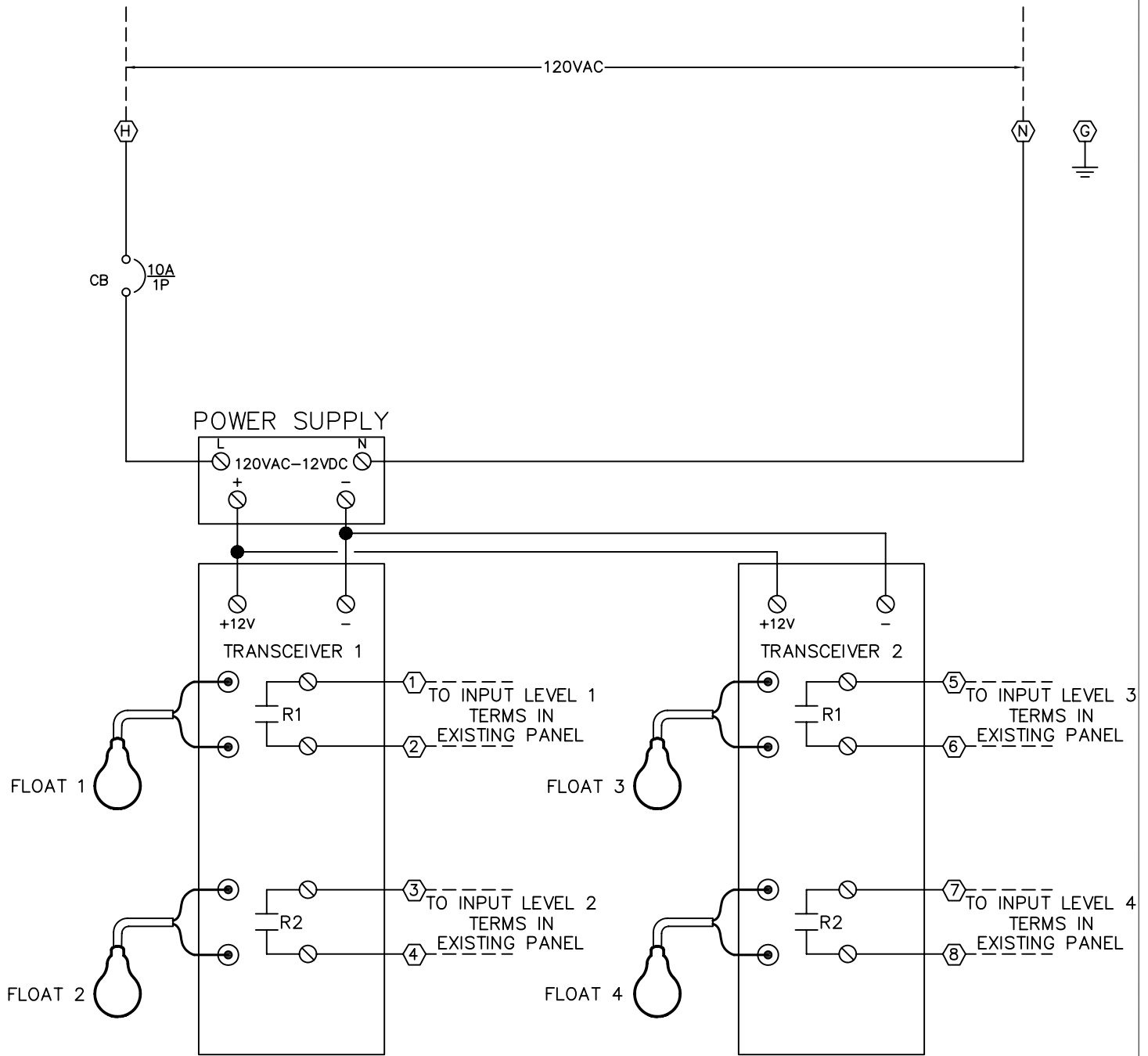

COX

Research and Technology, Inc.

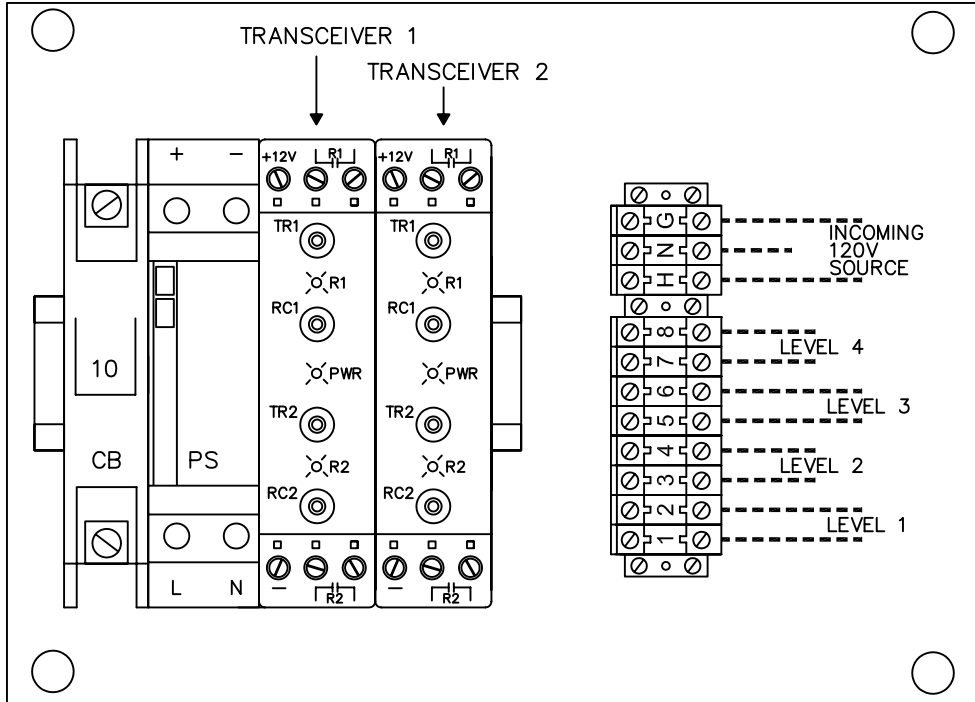
OPTI-OA4
OPTI-FLOAT[®] LEVEL DETECTOR
FOUR FLOAT OPEN ASSEMBLY CONTROL PANEL

Cox Research and Technology, Inc.
14697 S. Harrells Ferry Road
Baton Rouge, LA. 70816
(225) 756-3271 Fax (225) 755-1030

OPTI-OA4



Drawing Title									
CONTROL DIAGRAM		REFERENCE DRAWING		NO.		REVISION-LOCATION		ECN	
		S/N		Sales Engineer C.C.		Application Engineer R.C.		DRAWN BY M.SUTHERLAND	
DATE 3/2/09								APPROVED BY DATE	
Project Title		COX Research and Technology, Inc.		P.O. Box 77808 Baton Rouge, LA 70879 Ph. (225)756-3271 Fax (225)755-1030		PURCHASE ORDER NUMBER			
OPTI-OA4						DRAWING NUMBER OPTI-OA4			
						SHEET NUMBER 1			



2 DUAL TRANSEIVERS (FOR 4 FLOATS) 6"W X 4.5"H X 4.1"D

RECOMMENDED CLEARANCE FOR CABLE ENTRY IN FRONT OF TRANSCEIVER IS 1" MINIMUM.
SPECIAL OPEN ASSEMBLIES ARE AVAILABLE.

Drawing Title									
EXTERNAL WIRING CONNECTIONS		REFERENCE DRAWING		NO.		REVISION-LOCATION		ECN	
		S/N		Sales Engineer		Application Engineer		DRAWN	
DATE		C.C.		R.C.		BY M.SUTHERLAND		APPROVED	
3/2/09								DATE	
Project Title		<p style="text-align: center;">COX</p> <p style="text-align: center;">Research and Technology, Inc.</p>		<p>P.O. Box 77808 Baton Rouge, LA 70879</p> <p>Ph. (225)756-3271 Fax (225)755-1030</p>		PURCHASE ORDER NUMBER			
OPTI-0A4						DRAWING NUMBER OPTI-OA4			
						SHEET NUMBER			
								2	