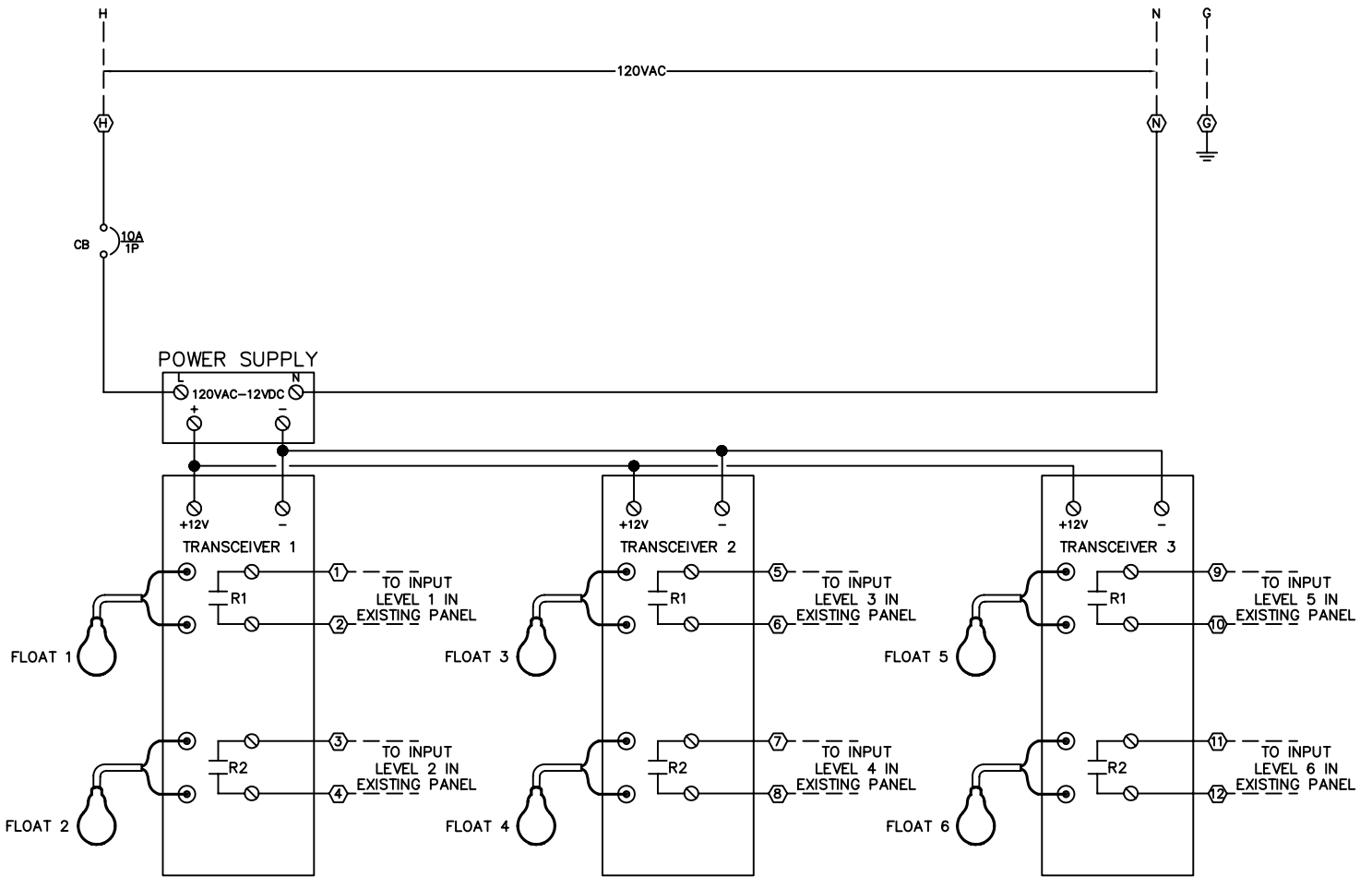

COX

Research and Technology, Inc.

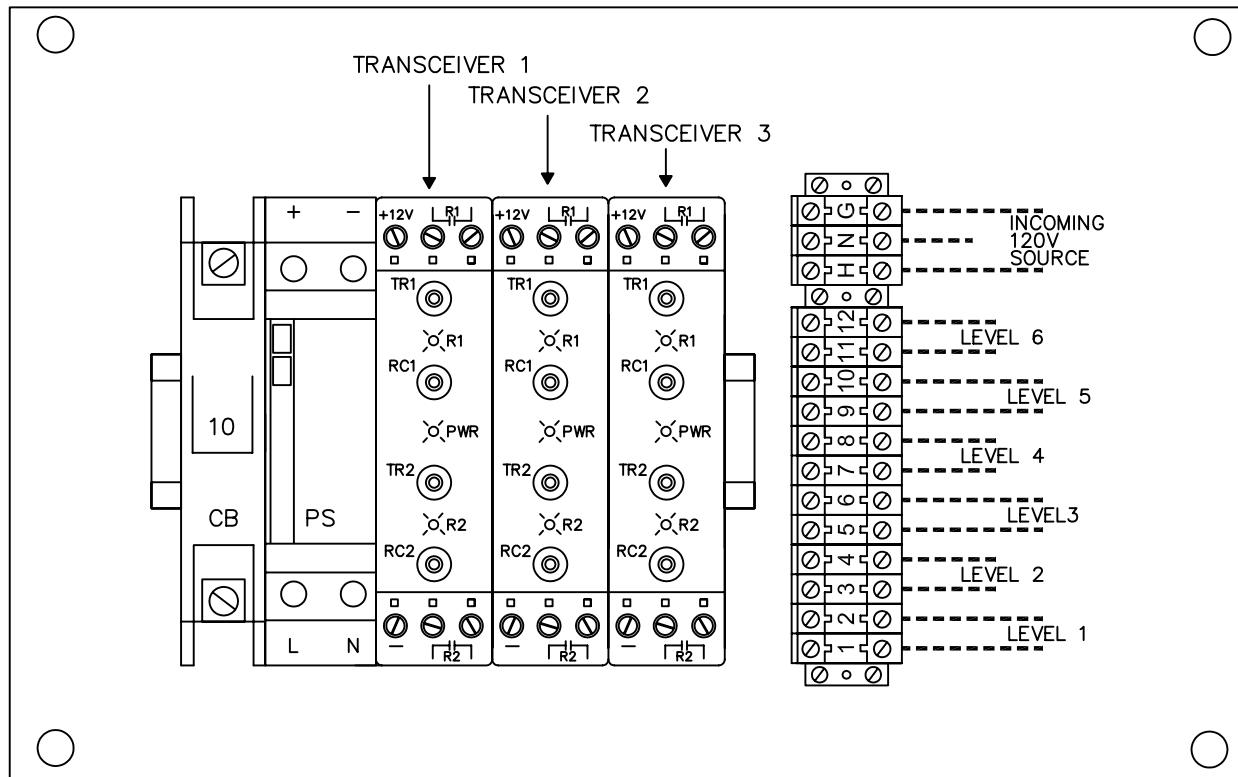
OPTI-OA6
OPTI-FLOAT[®] LEVEL DETECTOR
SIX FLOAT OPEN ASSEMBLY CONTROL PANEL

Cox Research and Technology, Inc.
14697 S. Harrells Ferry Road
Baton Rouge, LA. 70816
(225) 756-3271 Fax (225) 755-1030

OPTI-OA6



Drawing Title									
CONTROL DIAGRAM		REFERENCE DRAWING		NO.		REVISION-LOCATION		ECN	
		S/N		Sales Engineer		Application Engineer		DRAWN	
DATE		C.C.		R.C.		BY M.SUTHERLAND		APPROVED	
3/4/09								BY	
Project Title		<p style="text-align: center;">COX</p> <p style="text-align: center;">Research and Technology, Inc.</p>		<p>P.O. Box 77808 Baton Rouge, LA 70879</p> <p>Ph. (225)756-3271 Fax (225)755-1030</p>		PURCHASE ORDER NUMBER			
OPTI-OA6						DRAWING NUMBER			
						OPTI-OA6			
						SHEET NUMBER			
						1			



3 DUAL TRANSCEIVERS (FOR 6 FLOATS) 7"W X 4.5"H X 4.1"D

RECOMMENDED CLEARANCE FOR CABLE ENTRY IN FRONT OF TRANSCEIVER IS 1" MINIMUM.
SPECIAL OPEN ASSEMBLIES ARE AVAILABLE.

Drawing Title										
EXTERNAL WIRING CONNECTIONS		REFERENCE DRAWING		NO.		REVISION-LOCATION		ECN		
		S/N		Sales Engineer C.C.		Application Engineer R.C.		DRAWN		
DATE 3/4/09					BY M.SUTHERLAND		APPROVED			
Project Title								PURCHASE ORDER NUMBER		
OPTI-OA6		<p style="text-align: center;">COX Research and Technology, Inc.</p>		P.O. Box 77808 Baton Rouge, LA 70879 Ph. (225)756-3271 Fax (225)755-1030		DRAWING NUMBER		OPTI-OA6		
						SHEET NUMBER		2		