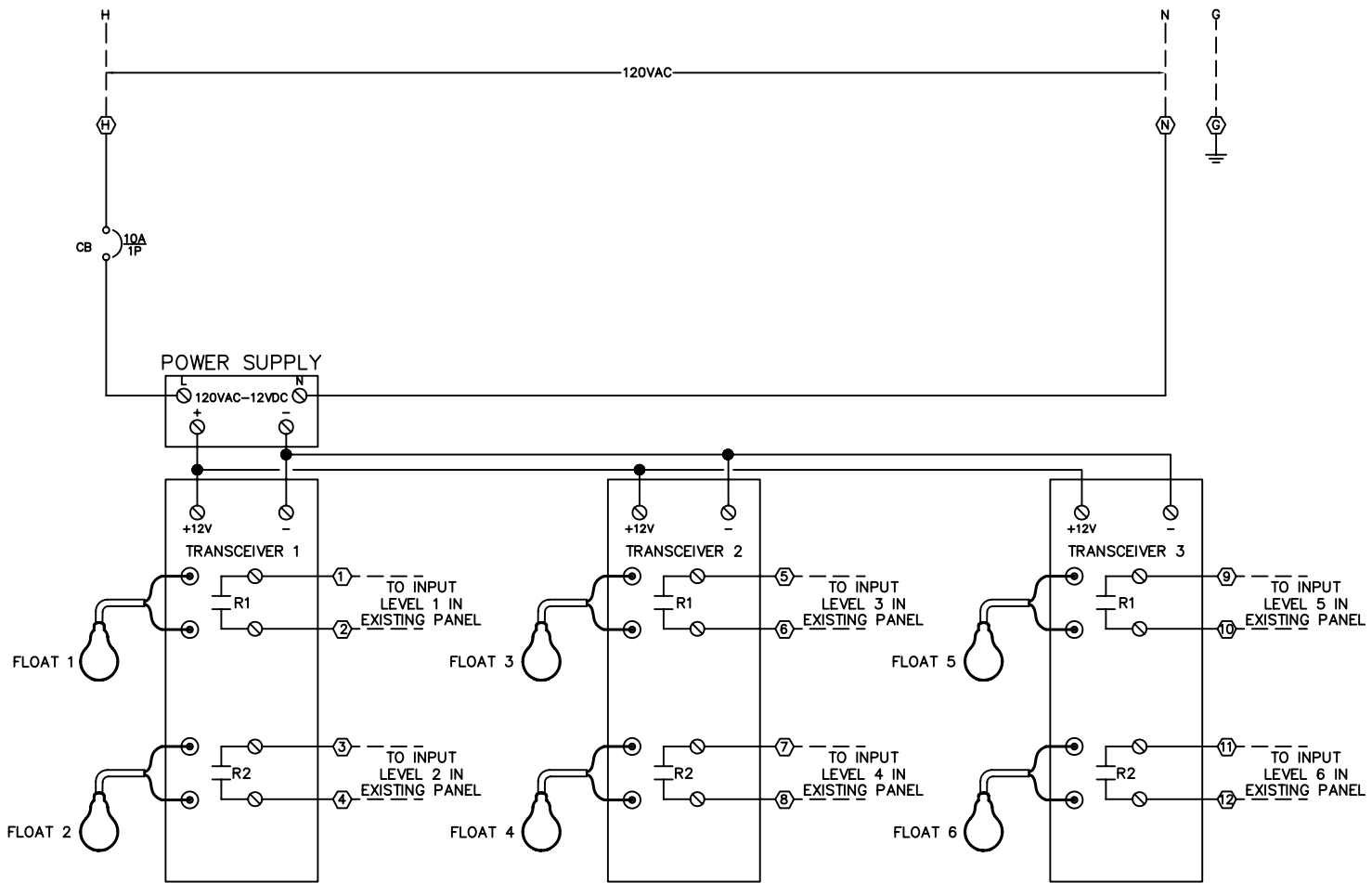

COX

Research and Technology, Inc.

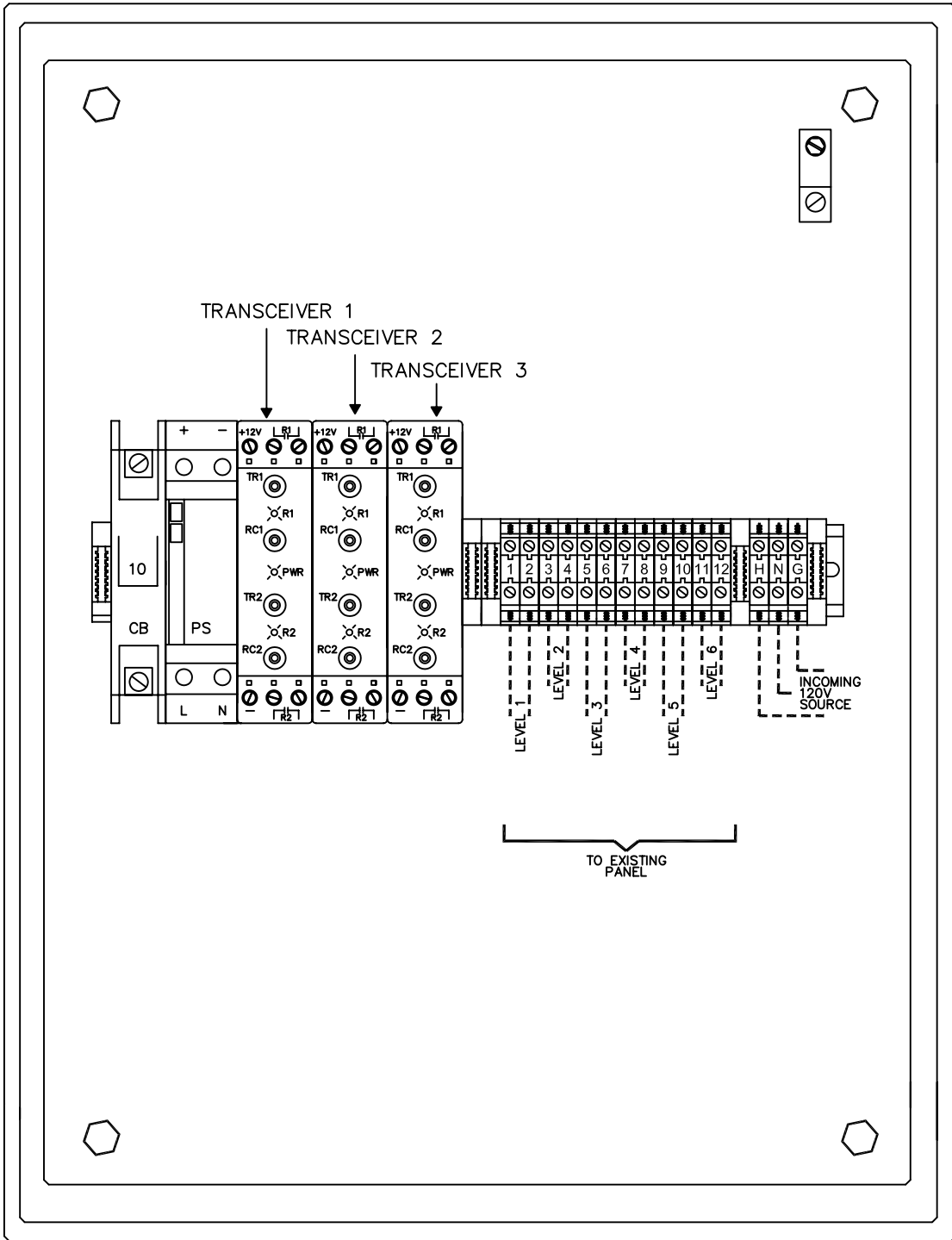
OPTI-RK6
OPTI-FLOAT[®] LEVEL DETECTOR
SIX FLOAT RETRO KIT CONTROL PANEL

Cox Research and Technology, Inc.
14697 S. Harrells Ferry Road
Baton Rouge, LA. 70816
(225) 756-3271 Fax (225) 755-1030

OPTI-RK6



| | | | | | | | | | |
|-----------------|--|--|--|--|--|-----------------------|--|----------|--|
| Drawing Title | | | | | | | | | |
| CONTROL DIAGRAM | | REFERENCE DRAWING | | NO. | | REVISION-LOCATION | | ECN | |
| | | S/N | | Sales Engineer | | Application Engineer | | DRAWN | |
| DATE | | C.C. | | R.C. | | BY M.SUTHERLAND | | APPROVED | |
| 2/27/09 | | | | | | | | DATE | |
| Project Title | | <p style="text-align: center;">COX</p> <p style="text-align: center;">Research and Technology, Inc.</p> | | <p>P.O. Box 77808 Baton Rouge, LA 70879</p> <p>Ph. (225)756-3271 Fax (225)755-1030</p> | | PURCHASE ORDER NUMBER | | | |
| OPTI-RK6 | | | | | | DRAWING NUMBER | | | |
| | | | | | | OPTI-RK6 | | | |
| | | | | | | SHEET NUMBER | | | |
| | | | | | | 1 | | | |



NON-METALLIC ENCLOSURE 11.6"H X 9.4"W X 5.0"D
 304 STAINLESS STEEL ENCLOSURE 12.8"H X 8.3"W X 7.5"D

| | | | | | | | | | |
|-----------------------------|---------------|-------------------|--|---|--|--|------|----------------------------|------|
| Drawing Title | | | | | | | | | |
| EXTERNAL WIRING CONNECTIONS | | REFERENCE DRAWING | | NO. | | REVISION-LOCATION | | ECN | DATE |
| | | S/N | Sales Engineer | Application Engineer | | DRAWN | | APPROVED | |
| DATE | Project Title | C.C. | R.C. | BY M.SUTHERLAND | | BY | DATE | PURCHASE ORDER NUMBER | |
| 2/27/09 | | OPTI-RK6 | | <p style="text-align: center;">COX Research and Technology, Inc.</p> | | P.O. Box 77808 Baton Rouge, LA 70879 | | DRAWING NUMBER OPTI-RK6 | |
| | | | Ph. (225)756-3271 Fax (225)755-1030 | | | SHEET NUMBER | | 2 | |